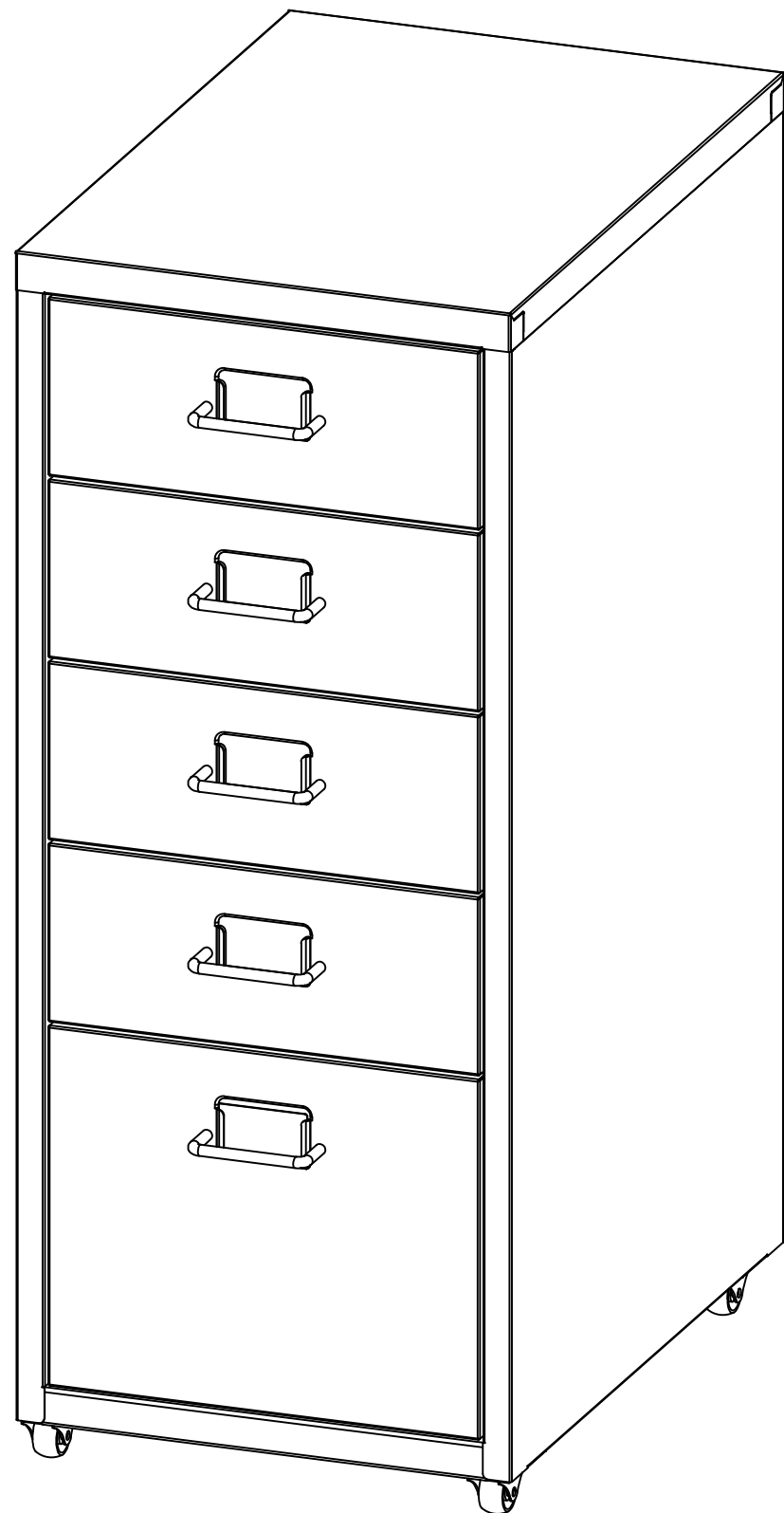
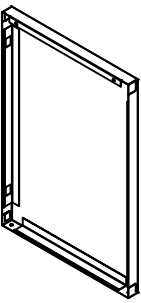
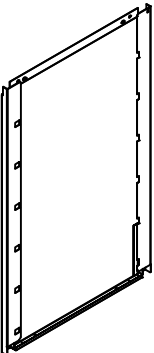
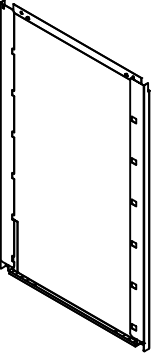
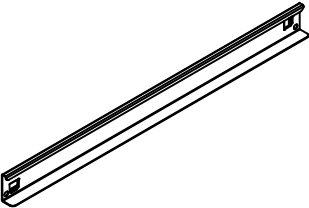
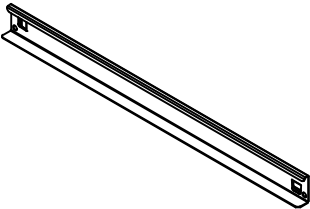
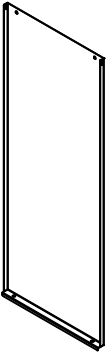
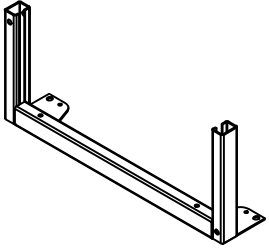
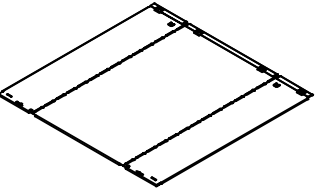
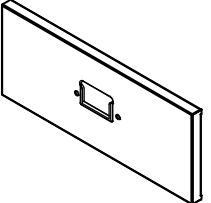
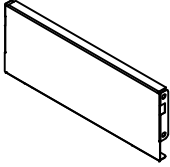
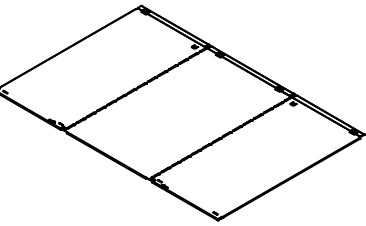
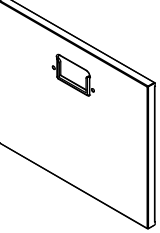
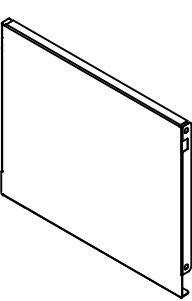
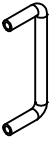



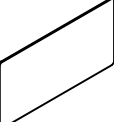

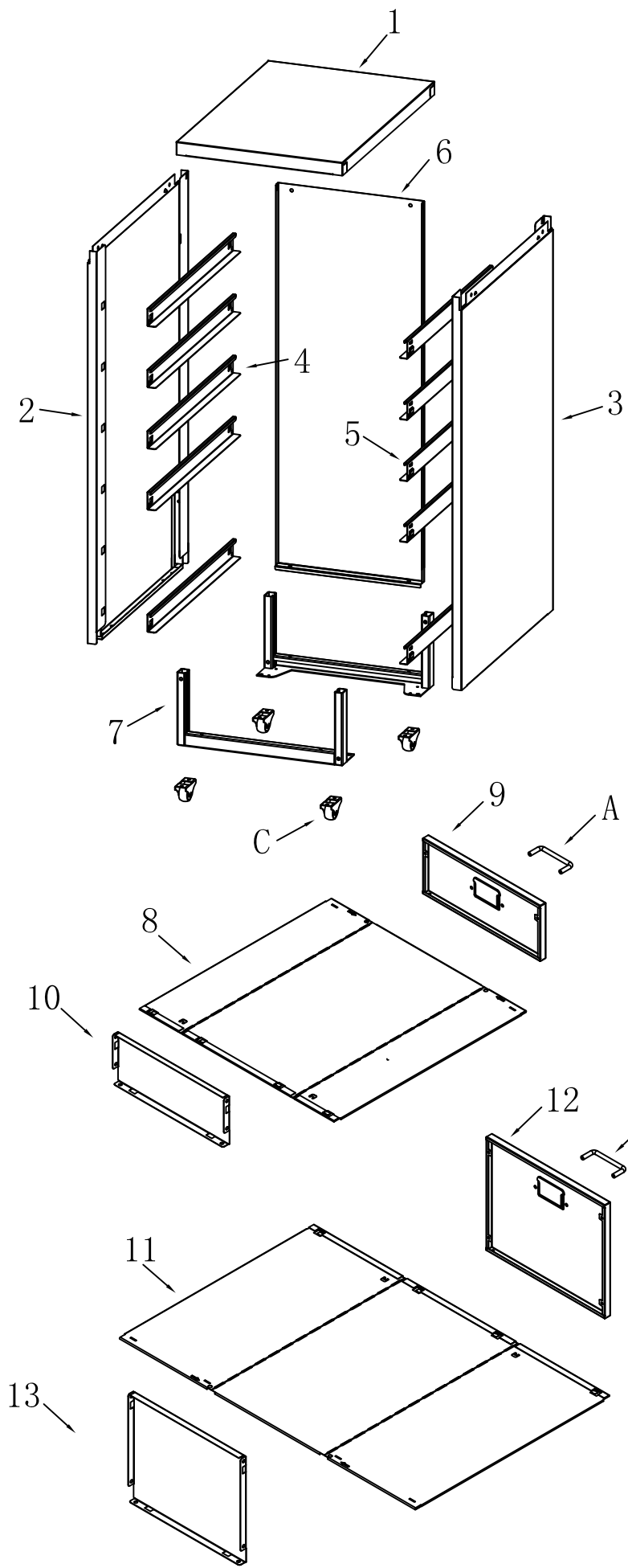


# FILING CABINET 5 DRAWER

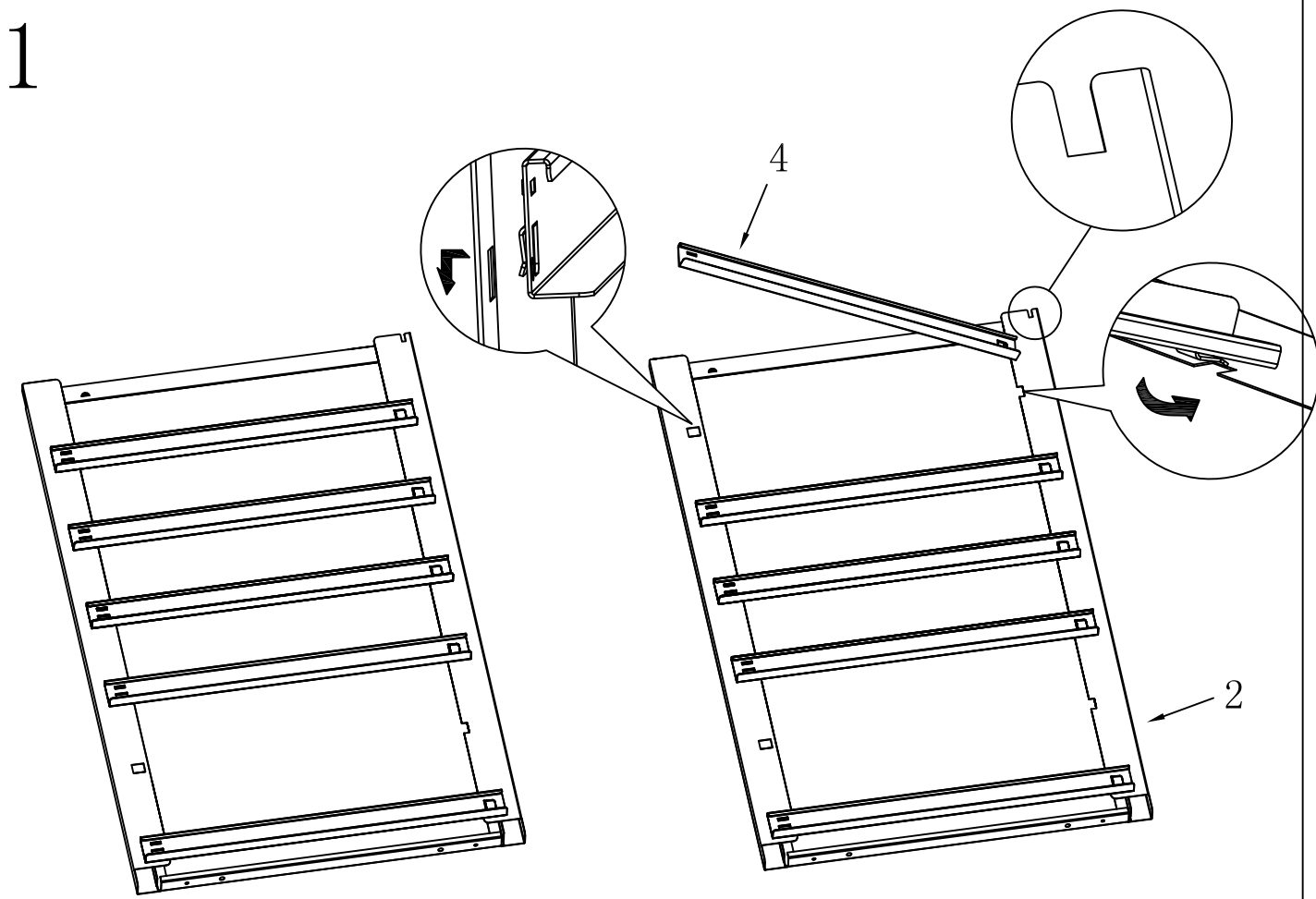
W280×D410×H688 mm



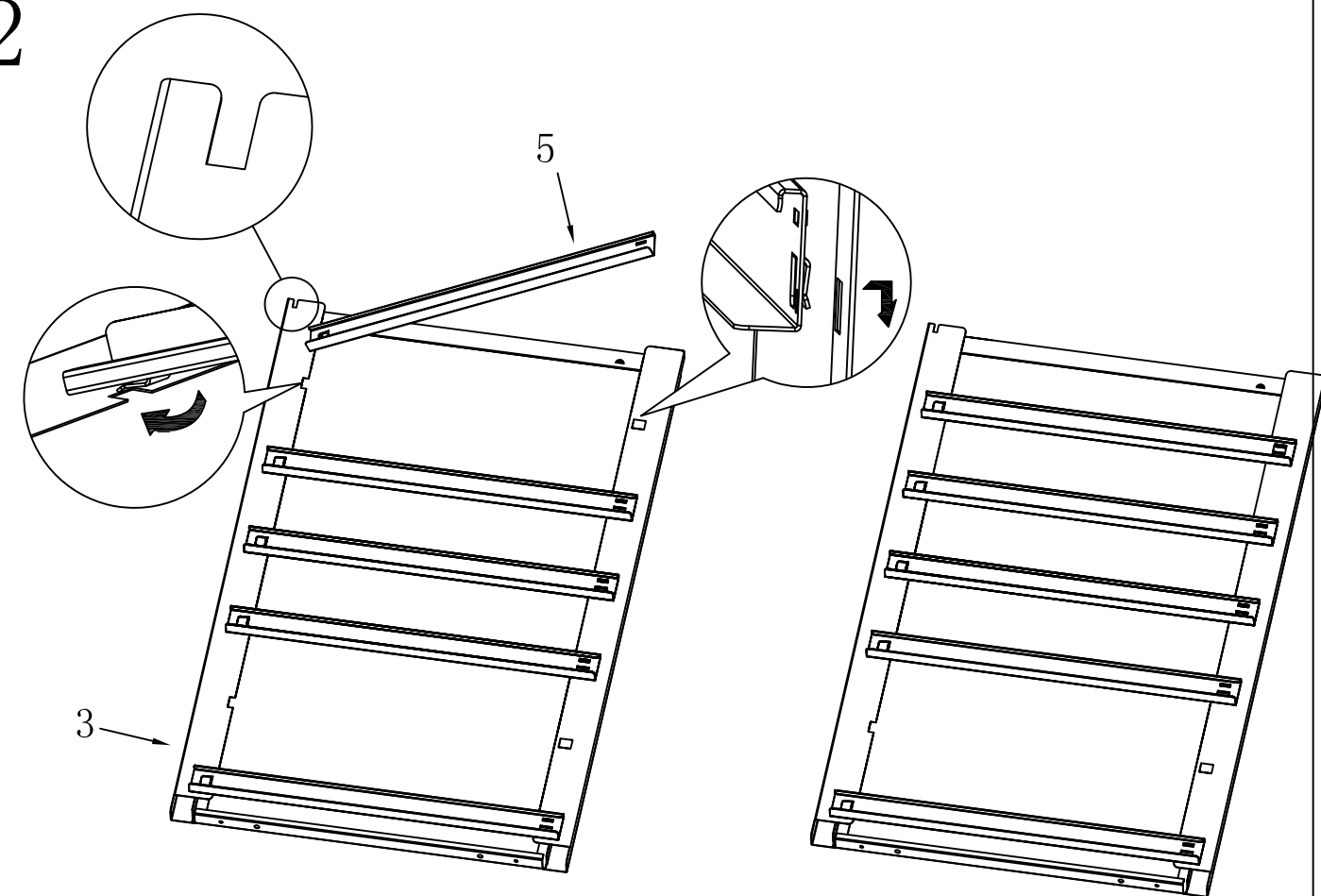
1  1pcs	2  1pcs	3  1pcs	
4  5pcs	5  5pcs	6  1pcs	
7  2pcs	8  4pcs	9  4pcs	
10  4pcs	11  1pcs	12  1pcs	
13  1pcs	A  5pcs	B  M4x6 10pcs	C  4pcs
	E  2pcs	F  5pcs	D  4x12 12pcs



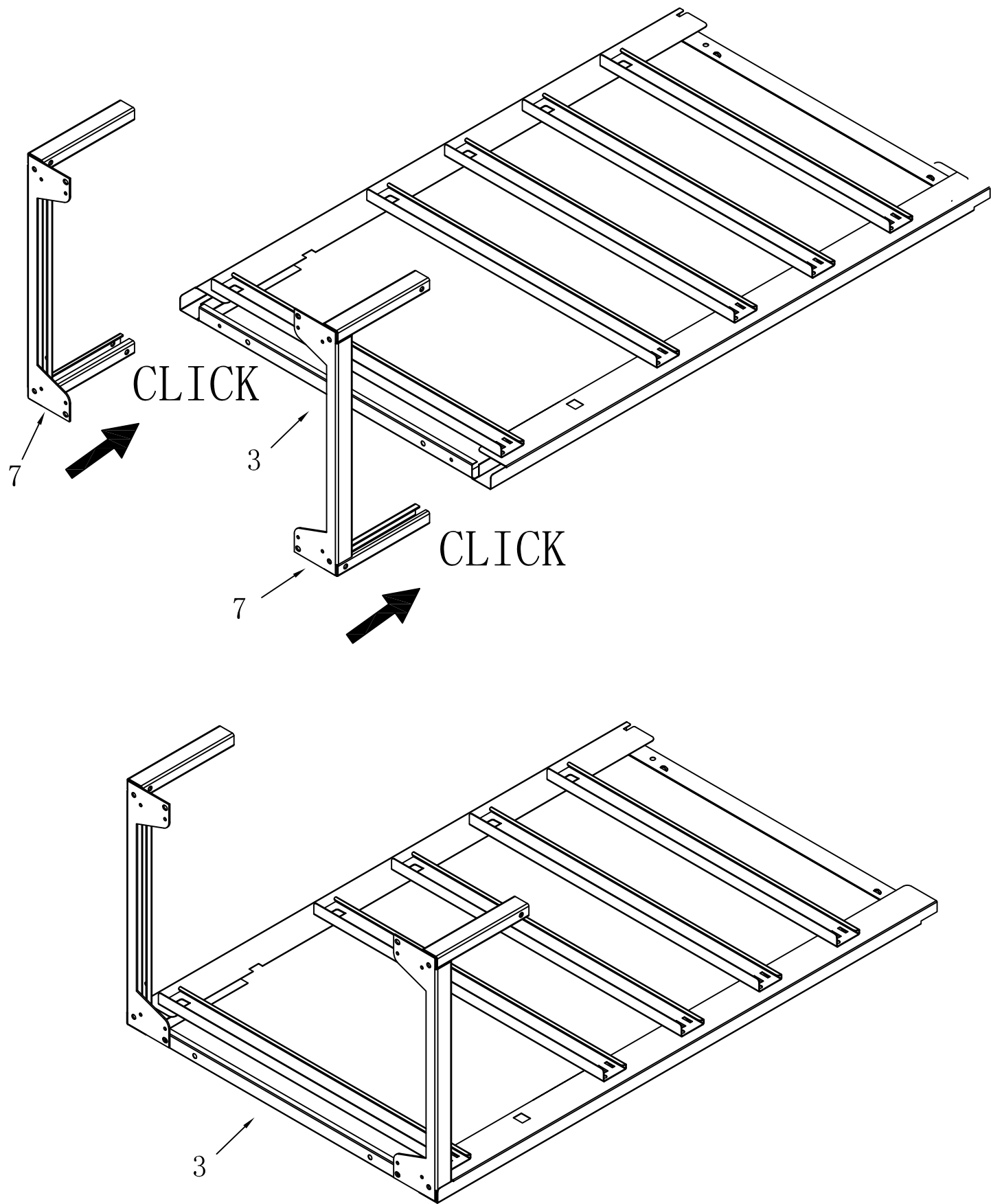
1



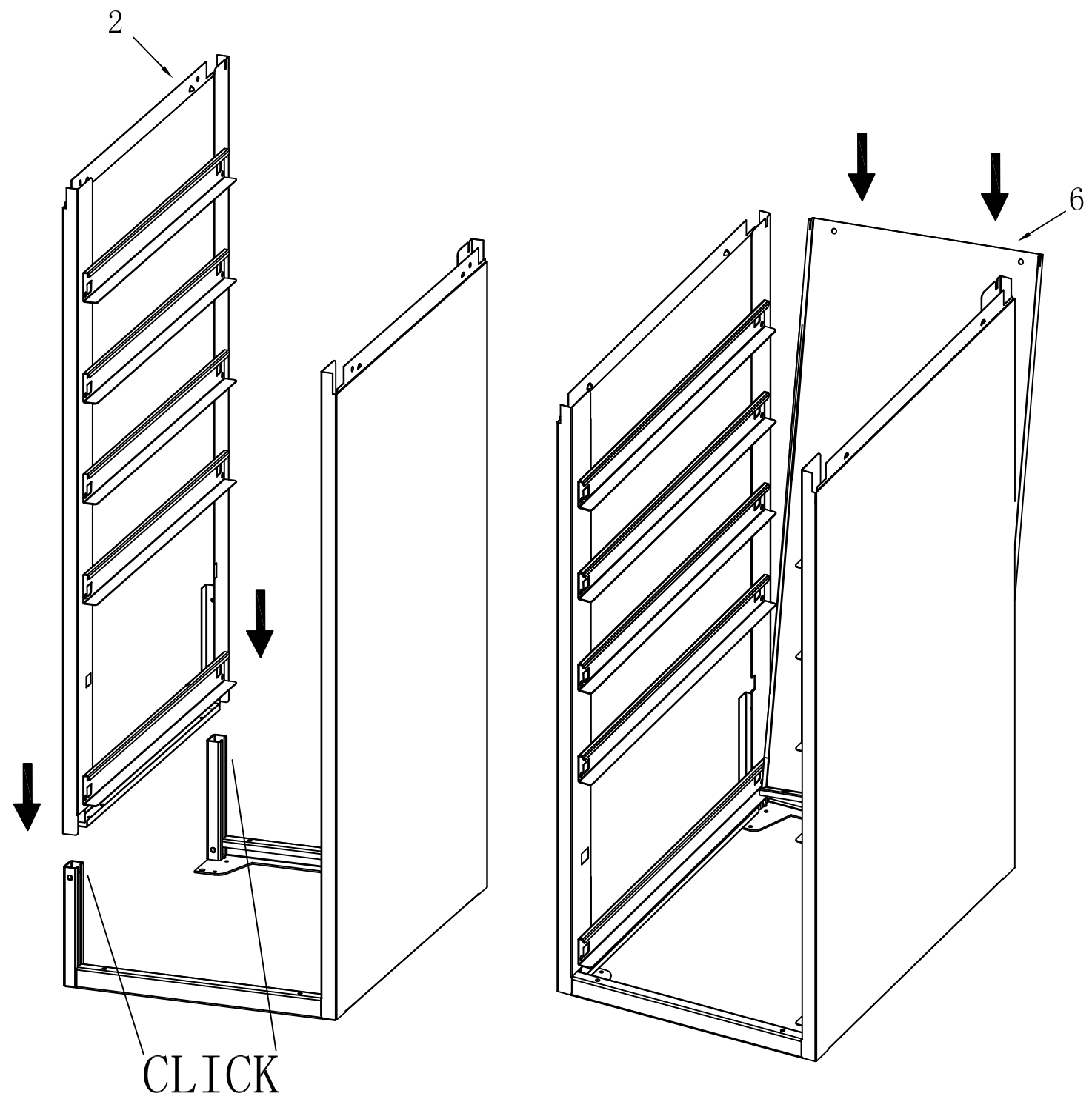
2



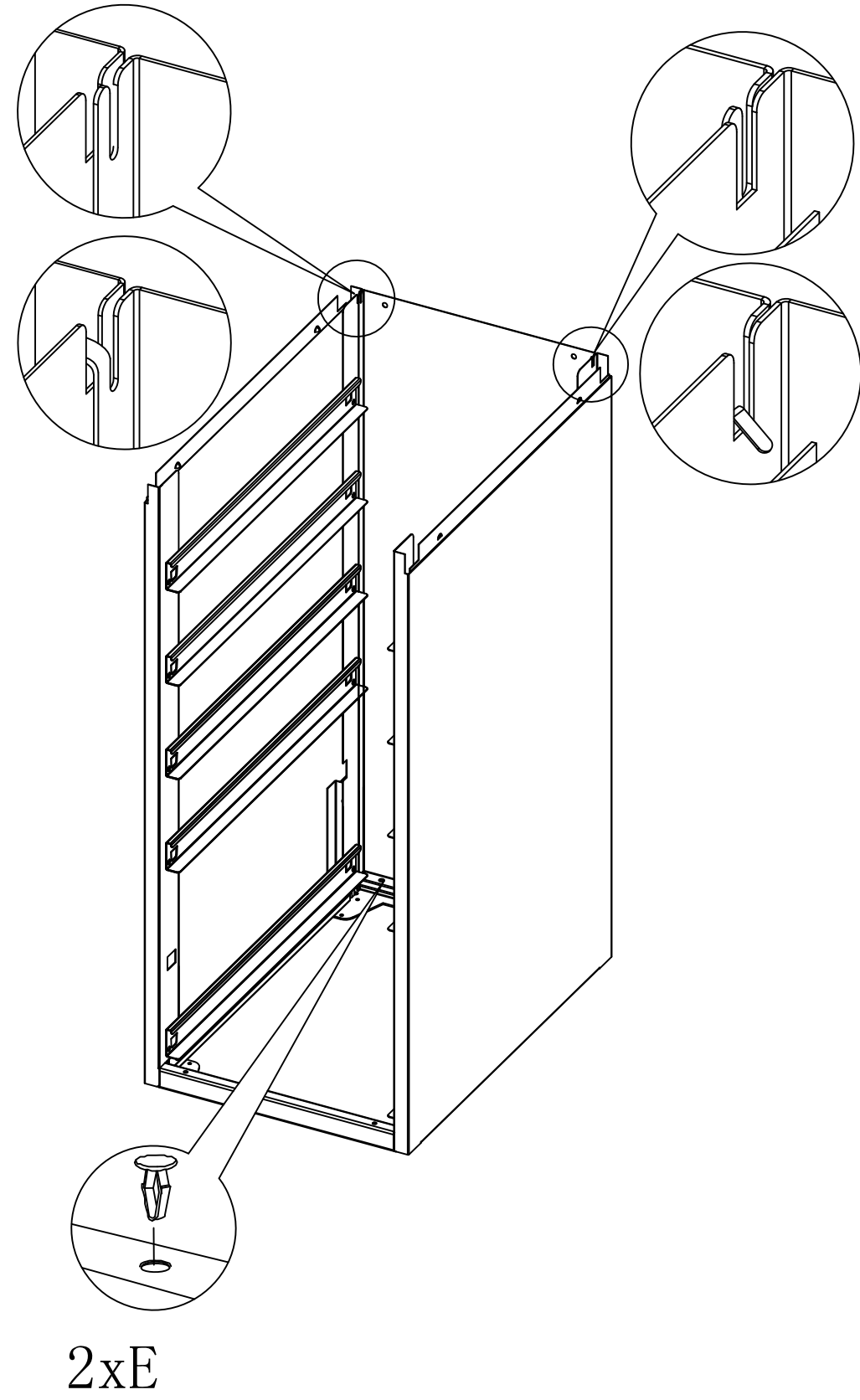
3



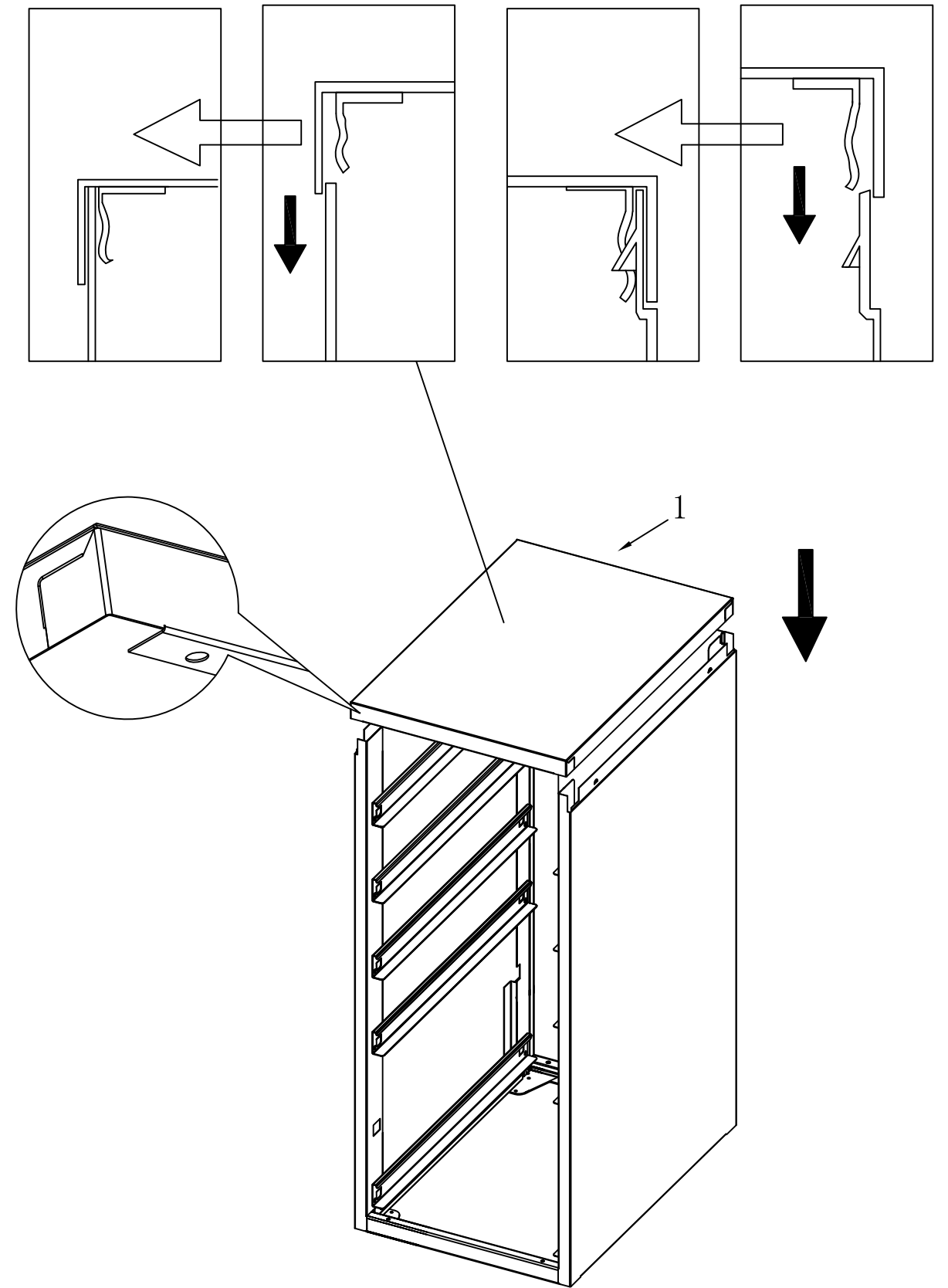
4



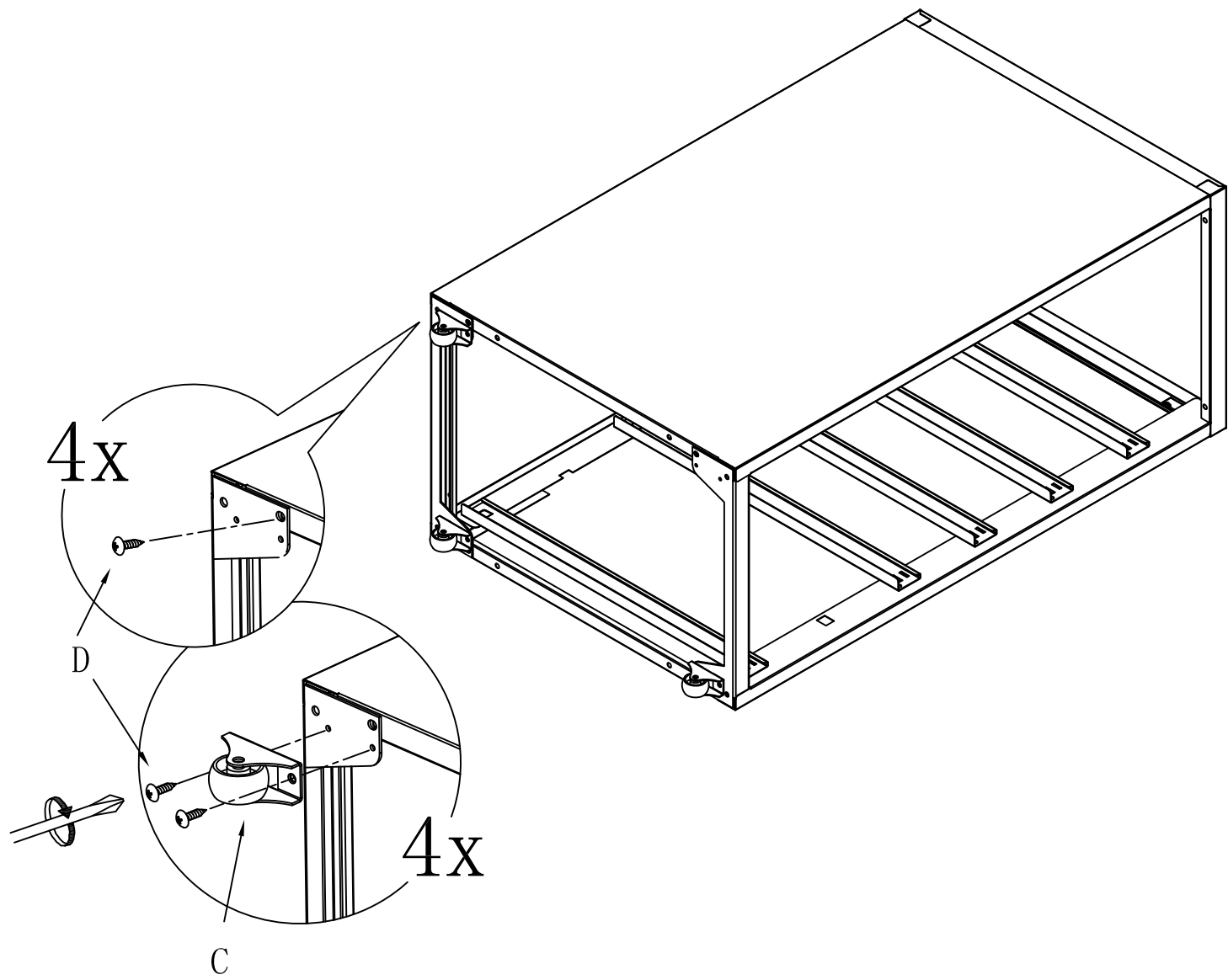
5



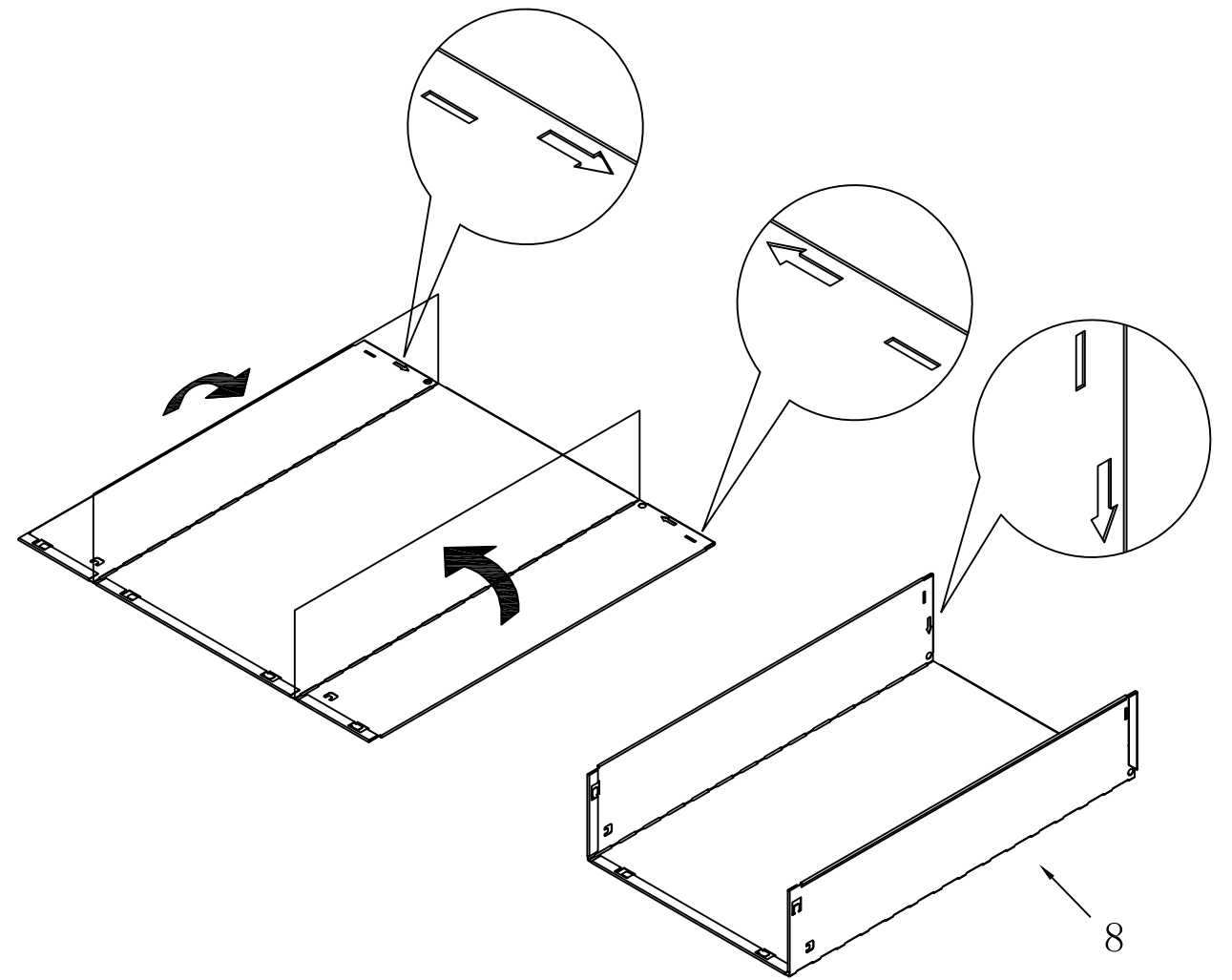
6



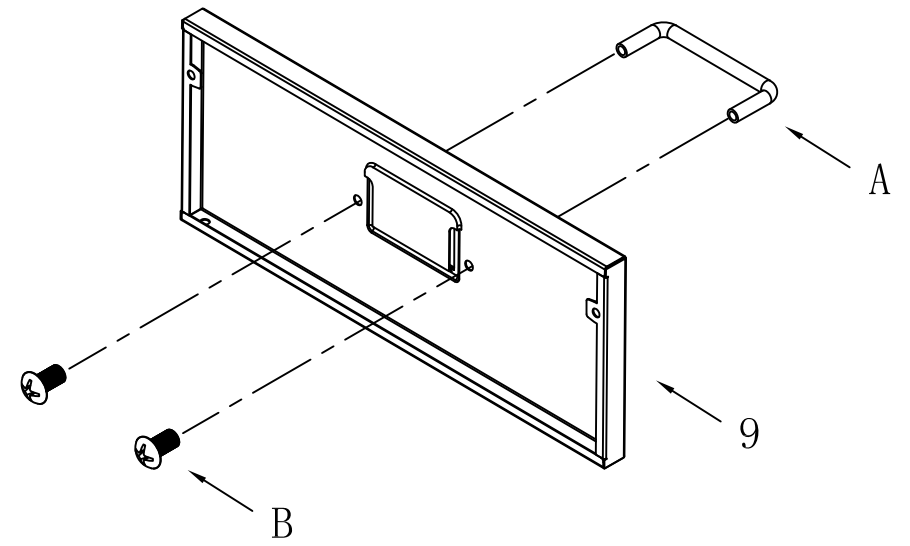
7



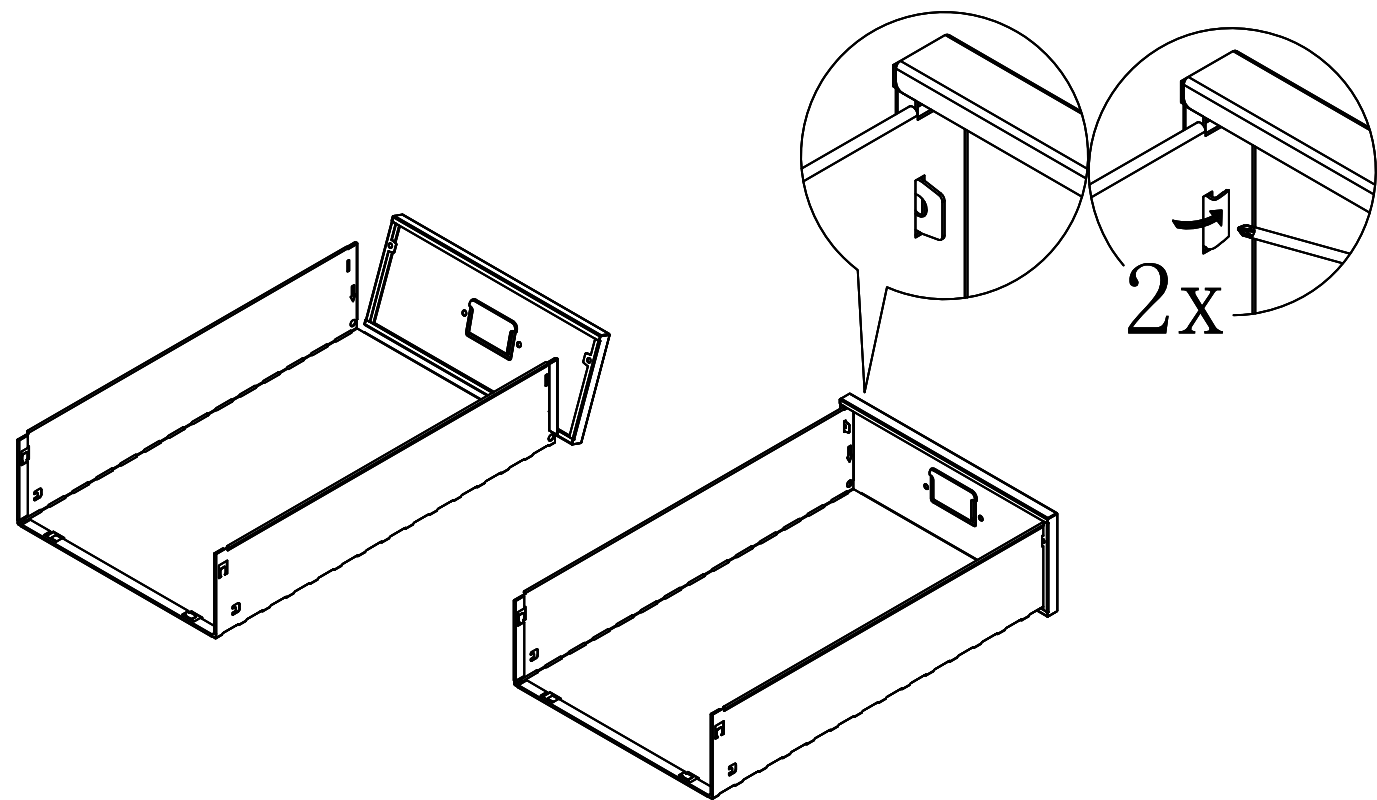
8



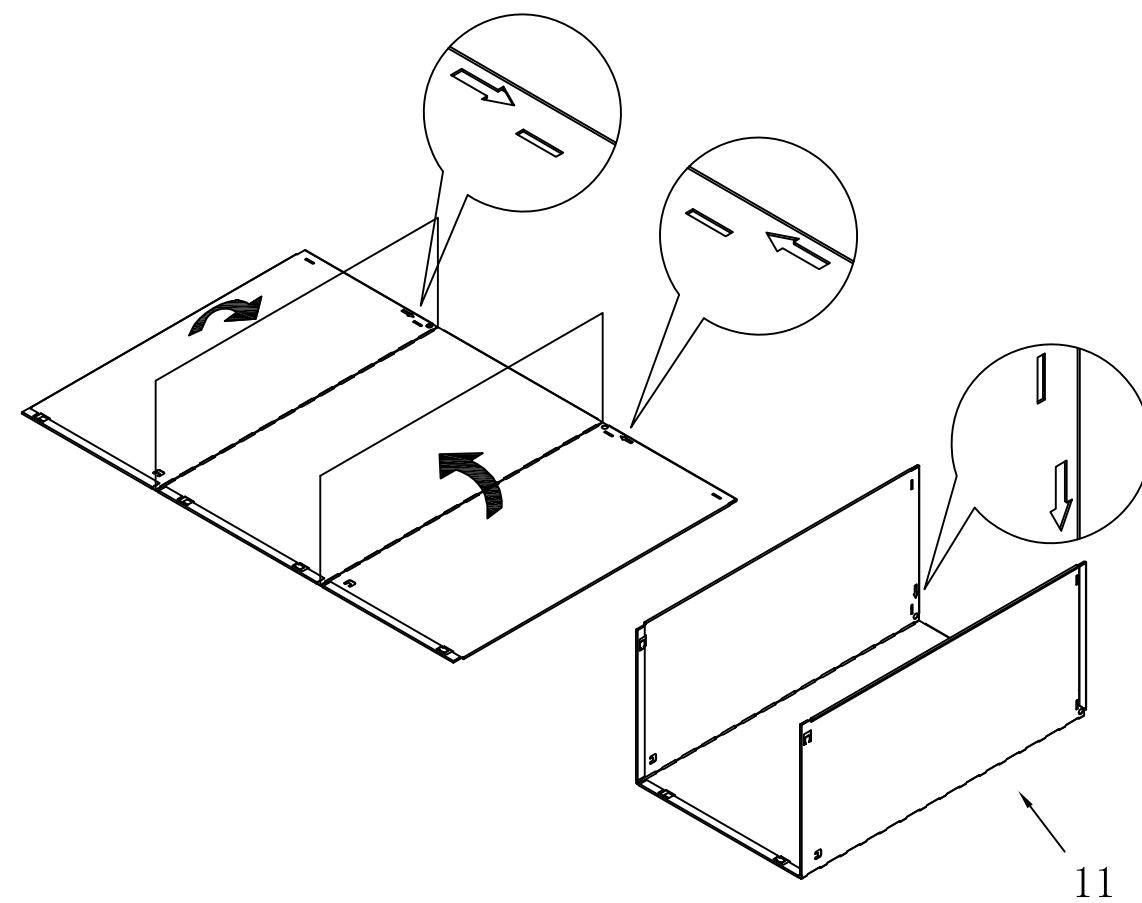
9



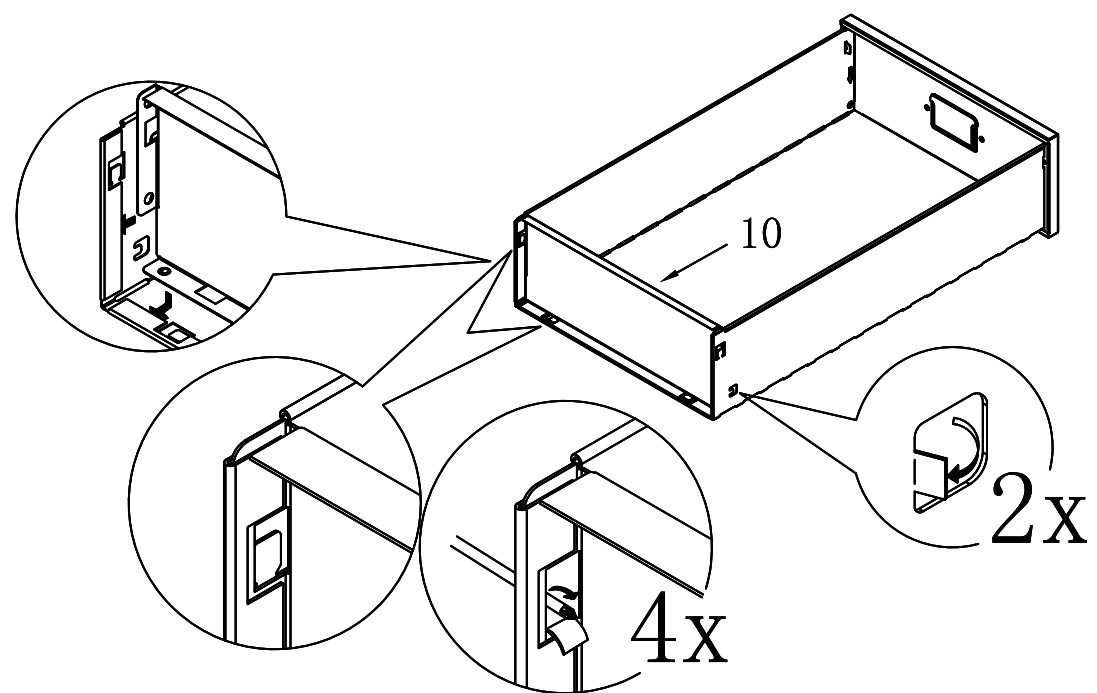
10



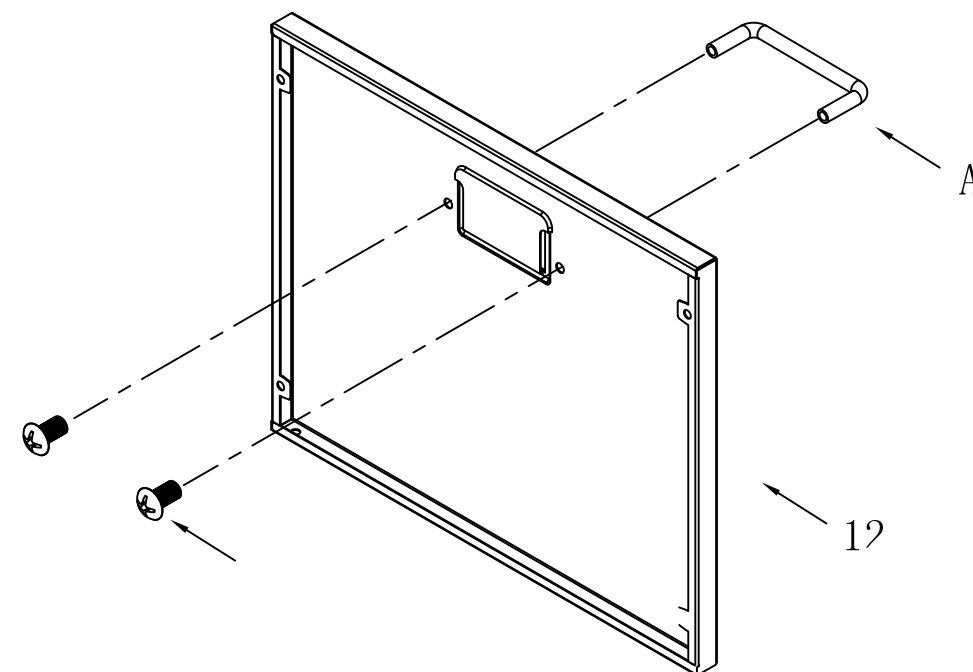
12



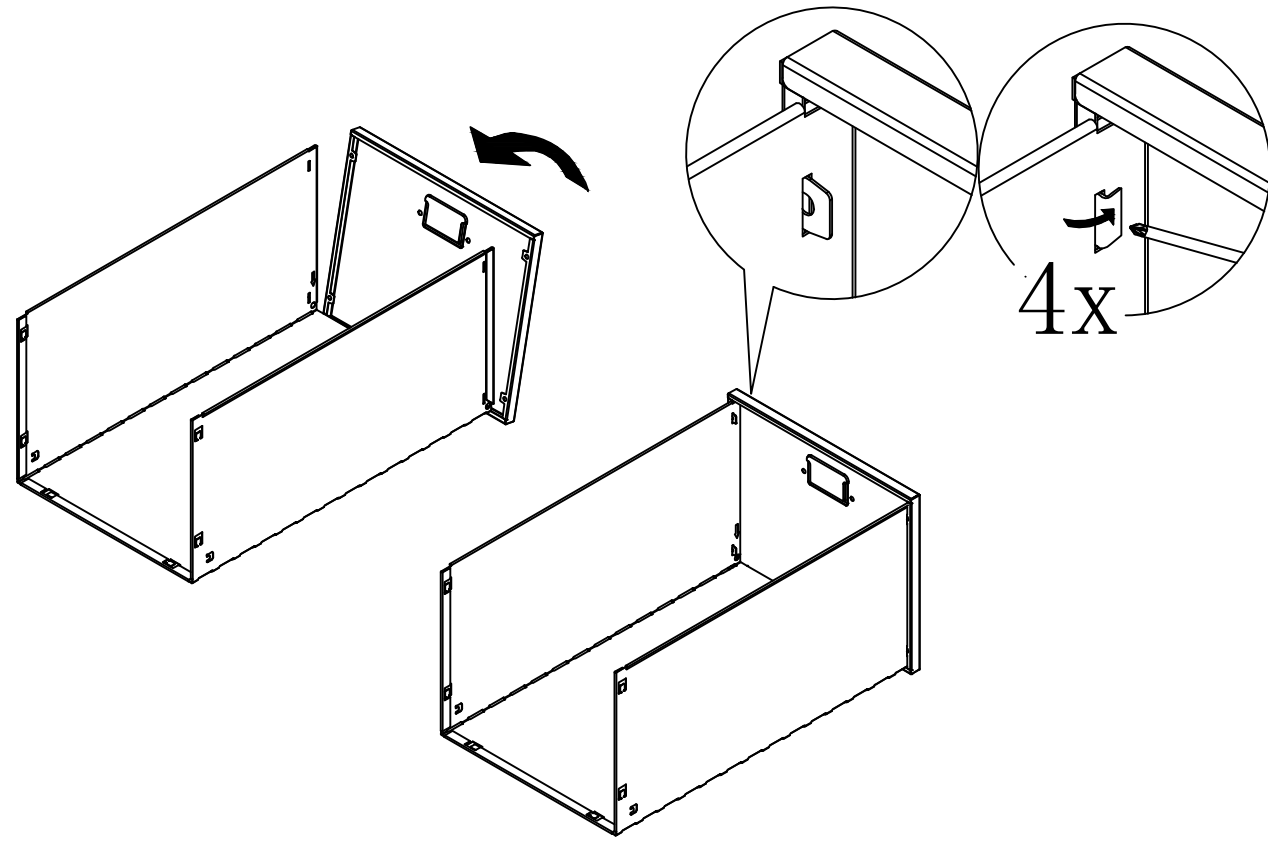
11



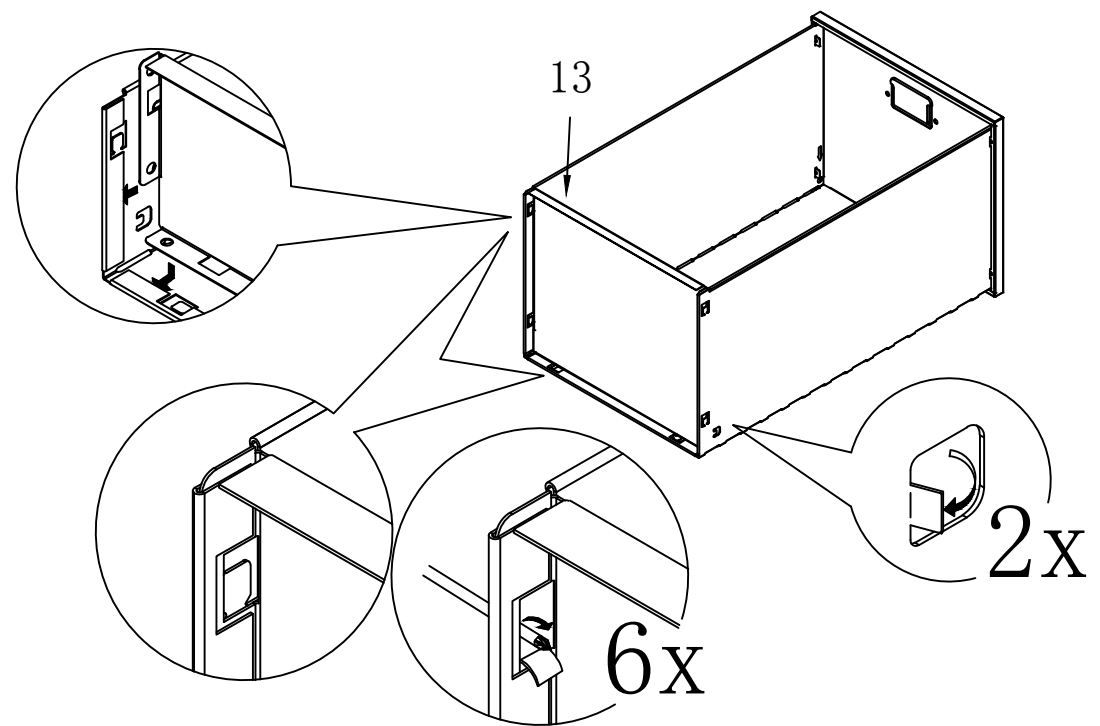
13



14



15



16

